

V10

Single Section

Adjustable Self-Service Food Shield

Centerline Length: _____

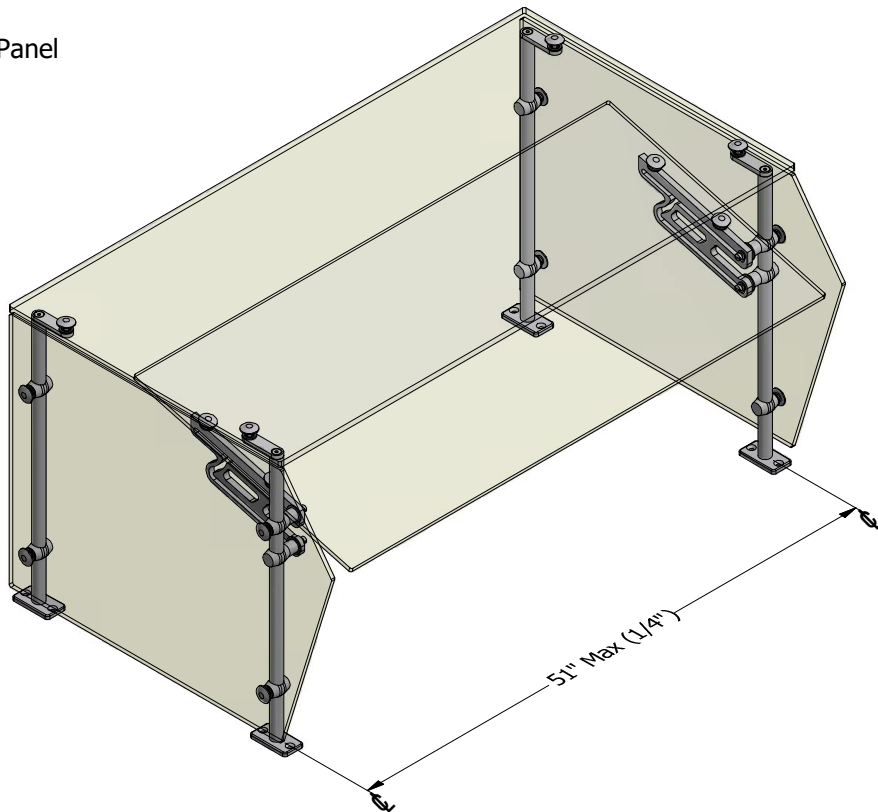
Max C = 51" w/ $\frac{1}{4}$ " Thick Adjustable Panel

End Panels (Required)

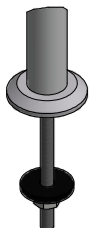
(From Customer Side)

Left

Right



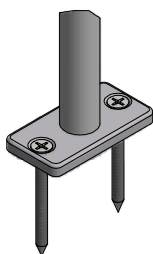
Attachment Hardware Selection



VF3
Through Bolt

Clear = $\text{C} - 1\frac{1}{2}$

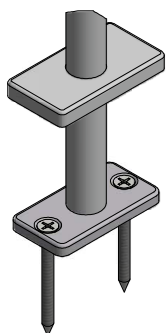
O.A. = $\text{C} + 1\frac{1}{2}$



VF6
Countertop

Clear = $\text{C} - 1\frac{3}{8}$

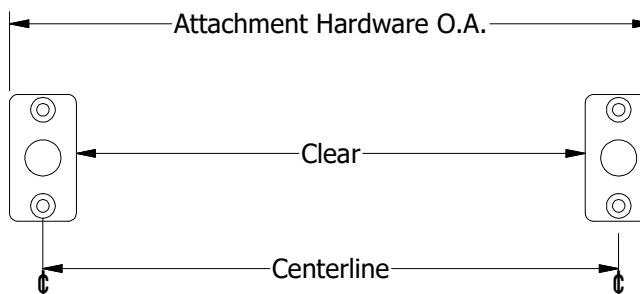
O.A. = $\text{C} + 1\frac{3}{8}$



VF6-5C
Countertop w/ Cover

Clear = $\text{C} - 1\frac{1}{2}$

O.A. = $\text{C} + 1\frac{1}{2}$



CONNEKT		NSF
SNEEZEGUARD COMPONENTS		
Satin Clear Anodized Aluminum		
Customer Name:	Project Name:	
Date Submitted:	Quantity Required:	
<small>All product designs © CONNEKT 2023. No part of the drawings / designs / pictures / renderings represented may be reproduced or transmitted in any form or by photocopying, etc. without expressed written permission by CONNEKT. Protected by one or more of the following US Patents: 10,292,506 10,413,097</small>		